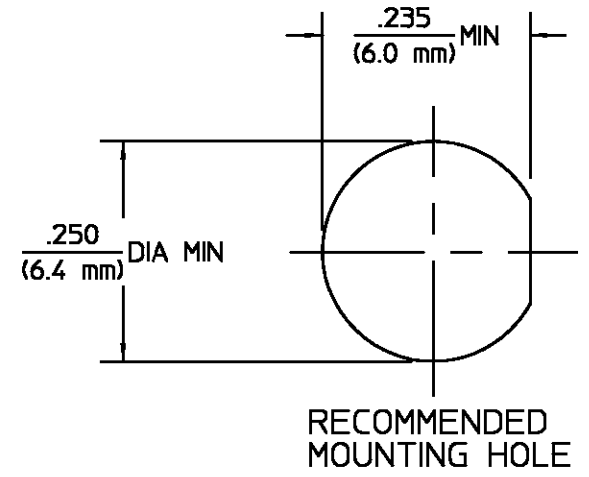
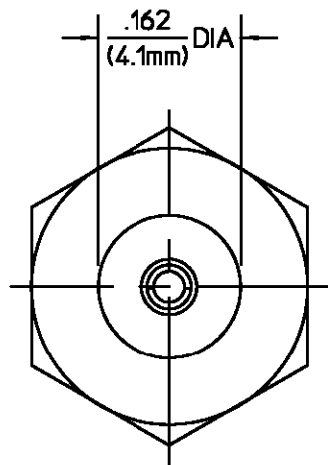


REVISIONS			
REV	DESCRIPTION	DATE	APPROVED
01 ₀	RELEASED	5/30/95	<i>M.M.</i>



ELECTRICAL	
Nominal Impedance (Ohms)	50
Frequency Range (GHz)	DC to 18.0
Volt Rating (VRMS MAX)	Sea Level 335
VSWR	N/A
Insertion Loss (dB MAX)	N/A
RF Leakage (dB MIN)	N/A
Corona, 70,000 Ft (VRMS MIN)	250
Dielectric Withstanding Voltage (VRMS MIN) @ Sea Level	1000
Contact Resistance (Milliohms MAX)	
Center Contact	2.0
Outer Contact	2.0
Cable to Housing	N/A
RF High Potential @ Sea Level (VRMS MIN @ 5 MHz)	670
LR (Megohms MIN)	10,000

MECHANICAL	
Interface Dimensions	MIL-STD-348A, Fig. 310.2
Recommended Mating Torque	N/A
Mating Characteristics:	
Insertion (MAX Lbs)	3.0
Withdrawal (MIN Oz)	1.0
Force to Engage and Disengage (In-Lbs MAX)	2.0
Center Contact Captivation	
Axial (Lbs)	6.0
Radial (In-Oz)	4.0
Cable Retention	
Axial Force (Lbs)	N/A
Torque (In-Oz)	N/A
Weight (Grams)	TBD

ENVIRONMENTAL	
Temperature Rating	-65°C To 125°C
Vibration	MIL-STD-202, Method 204, Condition D
Shock	MIL-STD-202, Method 213, Condition I
Thermal Shock	MIL-STD-202, Method 107, Condition B, Except High Temp +115°C
Moisture Resistance	MIL-STD-202, Method 106, Except Vibration
Corrosion	MIL-STD-202, Method 101, Condition B, 5% salt spray

HOUSING	LOCKWASHER	MOUNTING NUT
DIELECTRIC		
CENTER CONTACT		
COMPONENT		
UNLESS OTHERWISE SPECIFIED DIMENSIONS ARE IN INCHES TOLERANCE ON		
FRAC.	DEC.	ANGLES
± 1/64	±.005	± °
These drawings and specifications are the property of Omni Spectra Incorporated and shall not be reproduced or copied or used in whole or in part as the basis for the manufacture or sale of items without written permission.		

STAINLESS STEEL PER ASTM-A484 AND ASTM-A582, TYPE 303	
TFE FLUOROCARBON PER ASTM-D-1457	
BERYLLIUM COPPER PER ASTM-B-196 OR ASTM-B-197, ALLOY C17300, CONDITION H	
MATERIAL	
DRAWN BY <i>M.M.</i>	DATE 5/24/95
CHECKED BY	
APPD BY	
USE ASS'Y PROCEDURE	
NO. AP. N/A	

GOLD PLATE PER MIL-G-45204	
N/A	
GOLD PLATE PER MIL-G-45204 OVER COPPER PLATE PER MIL-C-14550	
FINISH	
AMP Incorporated	
140 Fourth Avenue	
Waltham, MA 02451-7599	
TITLE OSM BULKHEAD FEEDTHRU JACK RECEPTACLE SOLDER POT TERMINAL	
SIZE B	CODE IDENT NO. 26805
SCALE 5:1	2056-5168-00
	REV 01 ₀
SHEET 1 OF 1	